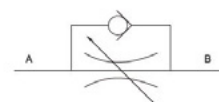


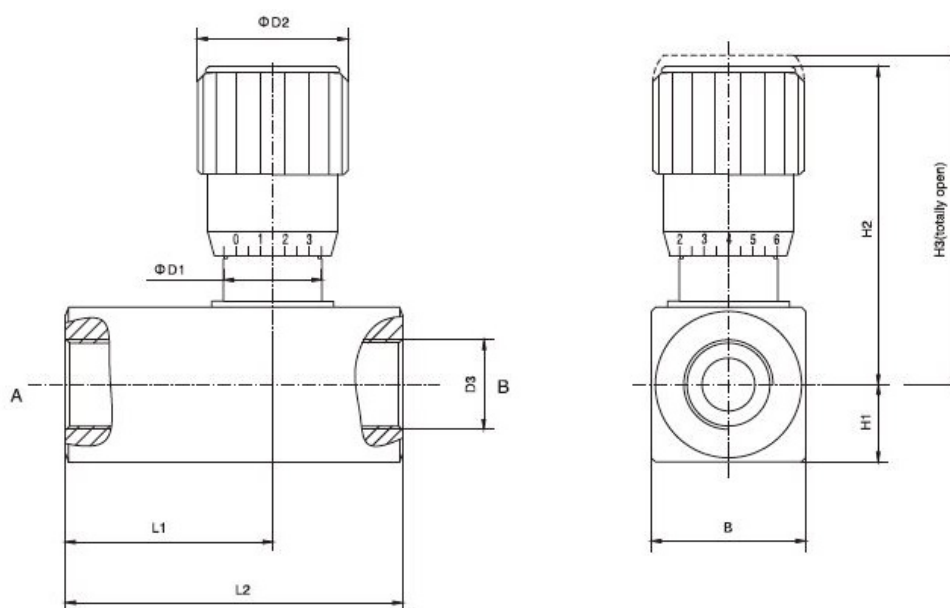
## UNIDIRECTIONAL FLOW CONTROL VALVES

### SPECIFICATIONS

Fluid viscosity:	2.8 - 380 mm/s
Max. pressure (MPa):	31.5
Fluid temperature:	-20°C + 70°C
Ambient temperature:	-20°C + 50°C
Standard seals:	NBR



### DIMENSIONS (mm)



Standard code	B	D1	D2	D3	H1	H2	H3	L1	L2	Q max (l/min)		
DRV-8	28	19.3	30	M14X1.5	G1/4	NPT1/4	14	61.3	67.9	39	64	60
DRV-10	28	19.3	30	M18X1.5	G3/8	NPT3/8	14	61.5	67.5	43	70	75
DRV-12	38	24.2	37	M22X1.5	G1/2	NPT1/2	19	78.1	86.5	52	83	140
DRV-16	38	24.2	37	M27X2	G3/4	NPT3/4	19	78.3	86.5	55.5	89	175
DRV-20	48	35	48	M33X2	G1"	NPT1"	24	102.3	114.4	70.8	117	200
DRV-25	60	50	48	M42X2	G1 1/4"	NPT1 1/4"	30	134.68	148.1	97	154	300
DRV-30	70	70	80	M48X8	G1 1/2"	NPT1 1/2"	35	161.5	181.5	111	172	400