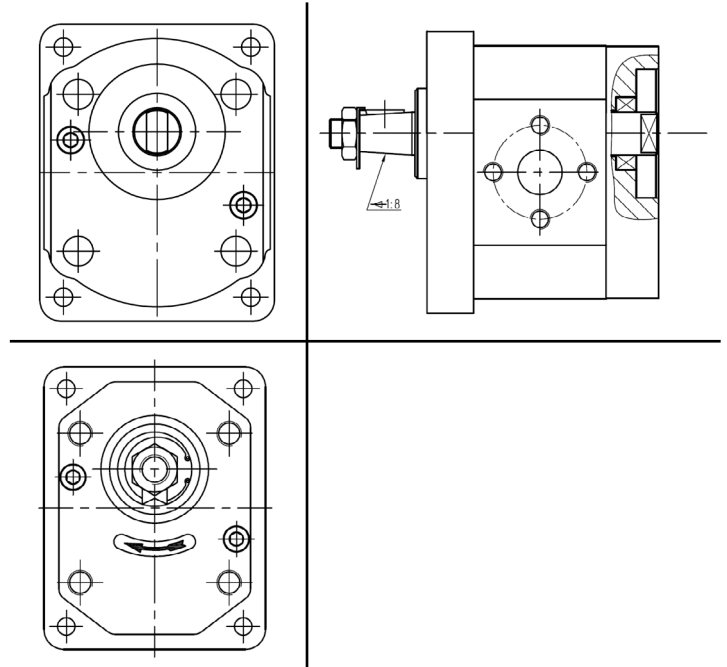


# VNKBMD - DRIVER PUMP



## HOW TO ORDER

Multiple pump	Group	Size	Shaft *	Flange *	Inlet port *	Outlet port *	Rotation	Standard Version
---------------	-------	------	---------	----------	--------------	---------------	----------	------------------

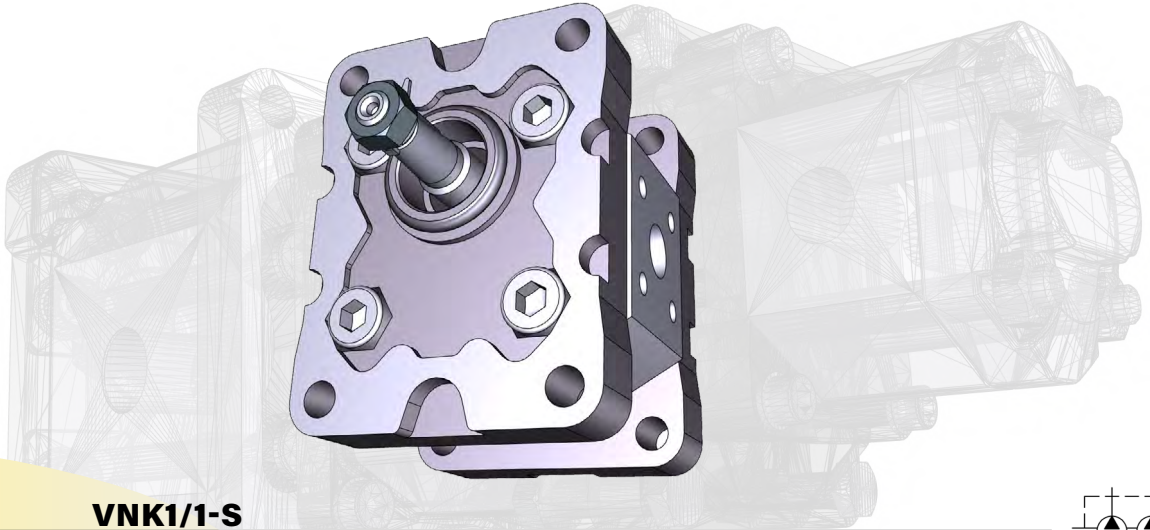
VNKBMD	3	→ 25		
	2	→ 4 30		
	1	1.1	6	33
		1.3	8	39
		1.6	10	46
		1.8	12	50
		2.1	14	55
		2.7	16	63
		3.2	18	70
		3.7	20	80
		4.2	23	90
		5	25	
		5.8	30	
		7		
		8		

\* see specifications of shafts, flanges and ports in pages 42, 43, 44, 45, 46.

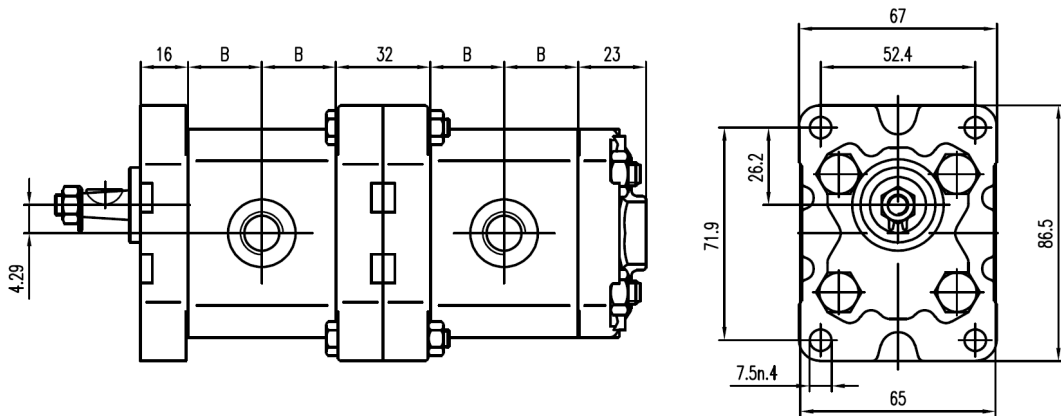
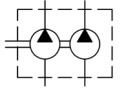
C	Clockwise	S
A	Counter clockwise	H
		J
		W
		R



**VNKBMD GROUP 1**



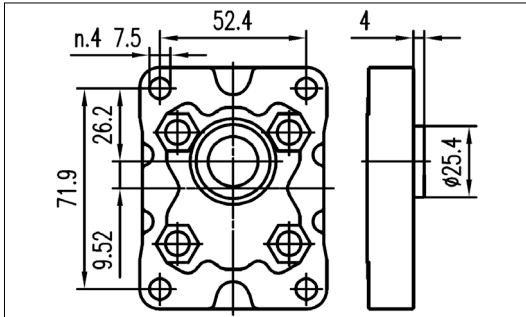
**VNK1/1-S**



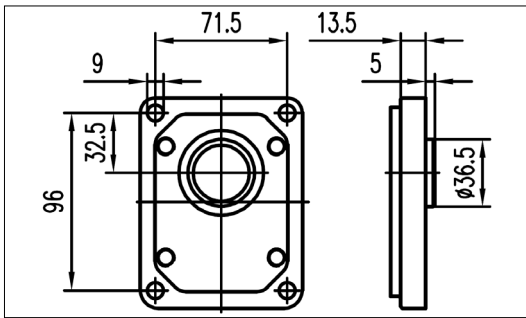
Type	Displacement cm <sup>3</sup> /rev	Max. Pressure			Max. Speed r/min	Min. Speed r/min	Dimensions
		P1	P2	P3			B mm
VNKBMD-1-1.1-1-1-*.**	1.1	250	270	290	6000	1000	18,5
VNKBMD-1-1.3-1-1-*.**	1.3	250	270	290	6000	1000	19
VNKBMD-1-1.6-1-1-*.**	1.6	250	270	290	6000	1000	19,5
VNKBMD-1-1.8-1-1-*.**	1.8	250	270	290	6000	1000	20
VNKBMD-1-2.1-1-1-*.**	2.1	250	270	290	6000	1000	21
VNKBMD-1-2.7-1-1-*.**	2.7	250	270	290	6000	1000	22
VNKBMD-1-3.2-1-1-*.**	3.2	250	270	290	6000	800	23
VNKBMD-1-3.7-1-1-*.**	3.7	250	270	290	5000	800	24
VNKBMD-1-4.2-1-1-*.**	4.2	250	270	290	4500	800	25
VNKBMD-1-4.8-1-1-*.**	4.8	230	250	270	4000	800	26
VNKBMD-1-5.8-1-1-*.**	5.8	230	250	270	3500	600	28
VNKBMD-1-7-1-*.**	7	210	230	250	3000	600	30
VNKBMD-1-8-1-1-*.**	8	180	200	230	2500	600	32



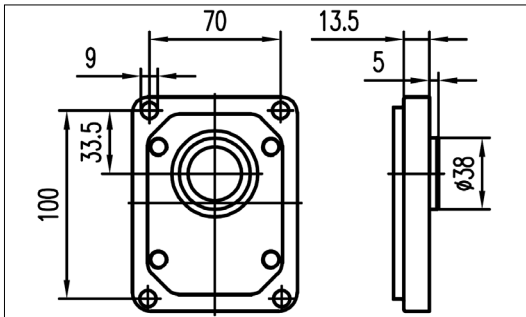
**FRONT COVERS**



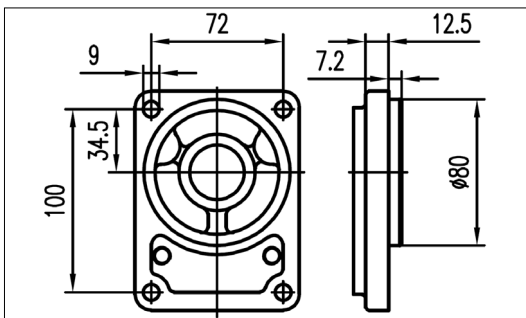
**1**



**3**

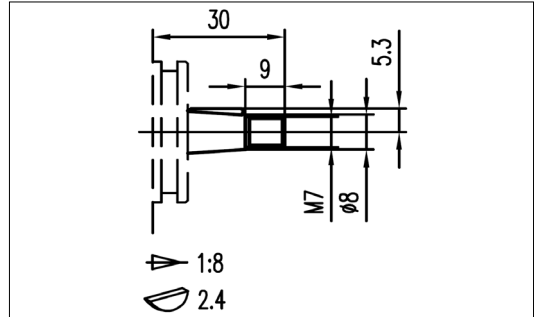


**8**



**6**

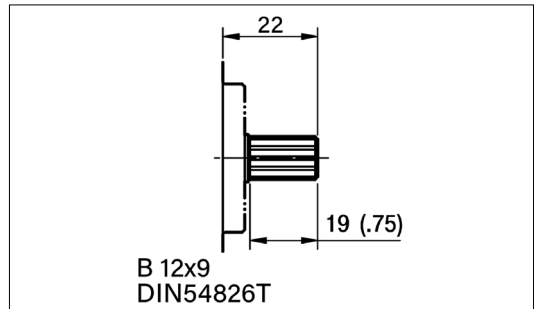
**SHAFTS**



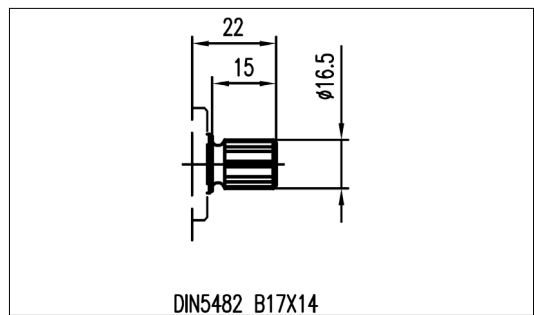
**1**

Max. Torque

20 Nm



**7**



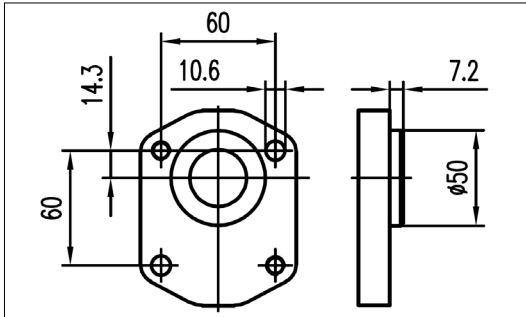
**12**

Max. Torque

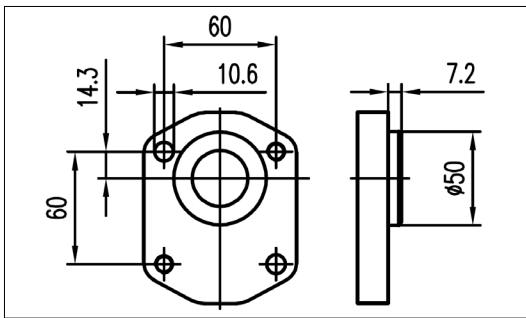
150 Nm



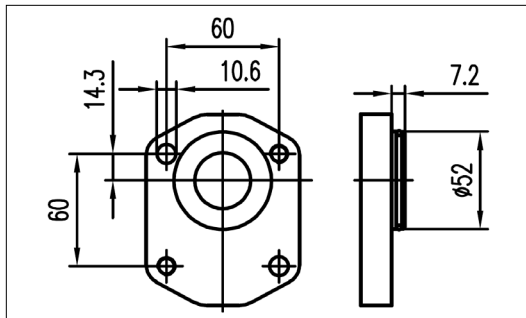
**FRONT COVERS**



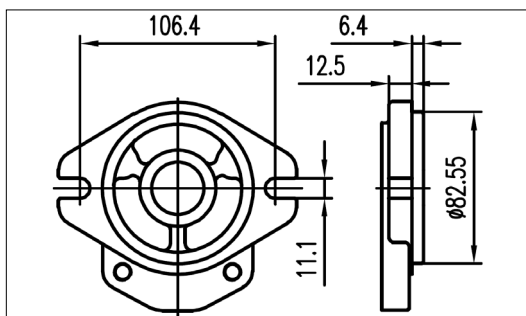
**4**



**9**

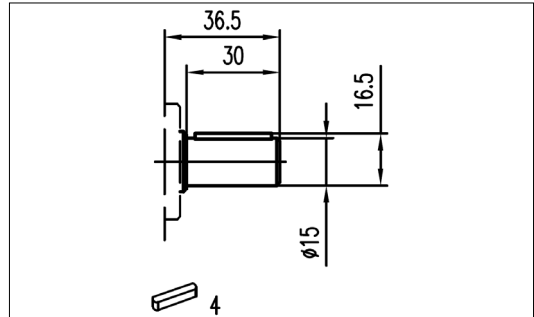


**10**



**2**

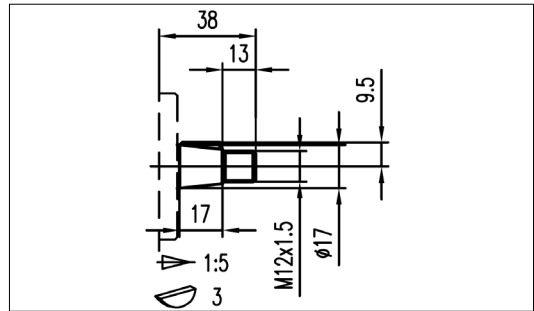
**SHAFTS**



**9**

Max. Torque

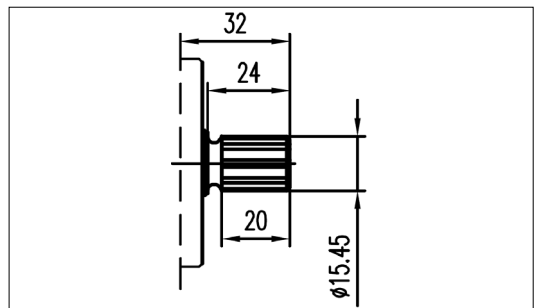
135 Nm



**8**

Max. Torque

180 Nm



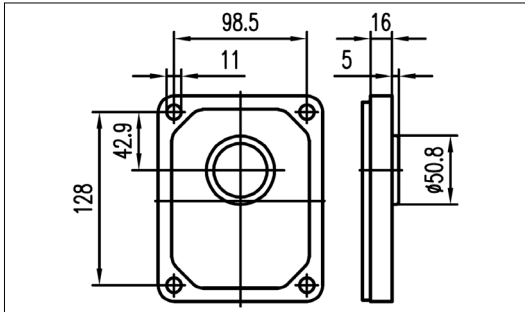
**11**

Max. Torque

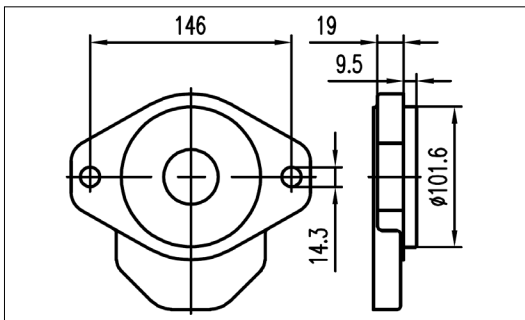
185 Nm



**FRONT COVERS**

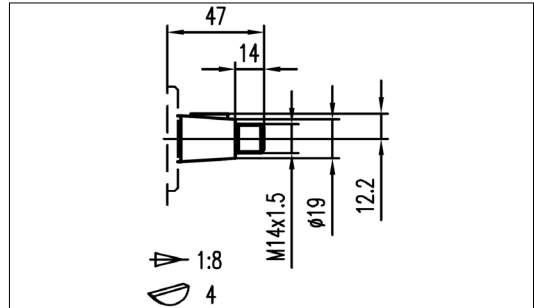


**5**



**7**

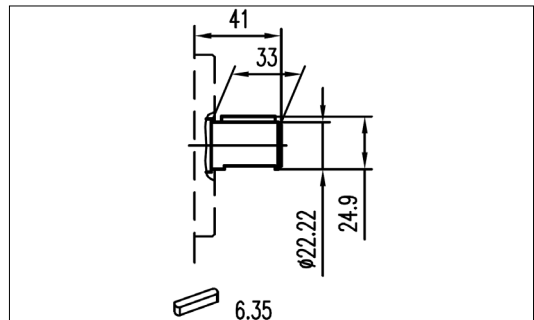
**SHAFTS**



**2**

Max. Torque

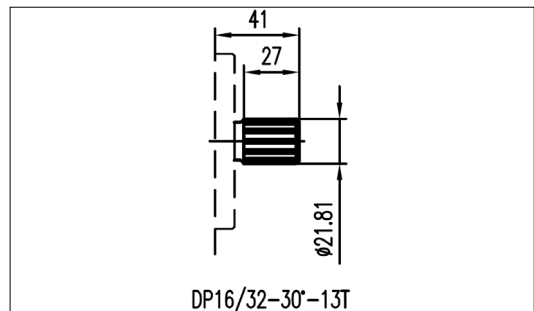
300 Nm



**14**

Max. Torque

400 Nm



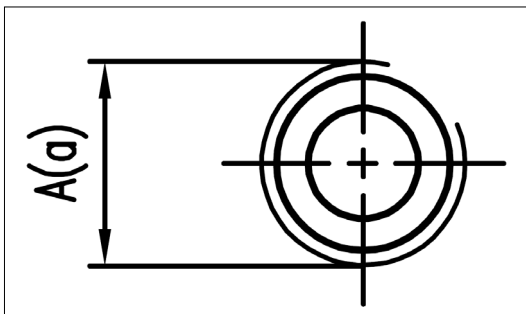
**15**

Max. Torque

500 Nm

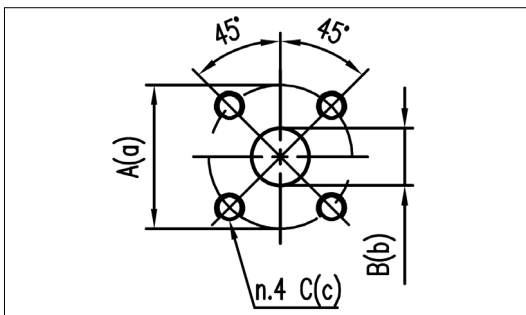


### PORTS



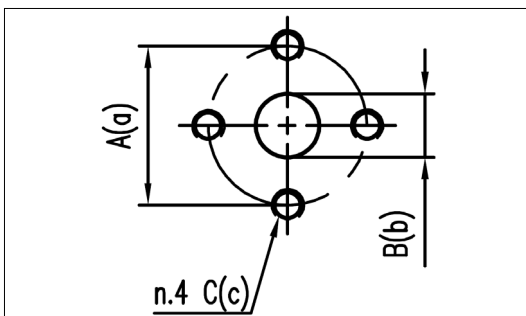
3838

INLET	OUTLET
A	a
G3/8	G3/8



3030

INLET			OUTLET		
A	B	C	a	b	c
30	12	M6	30	12	M6

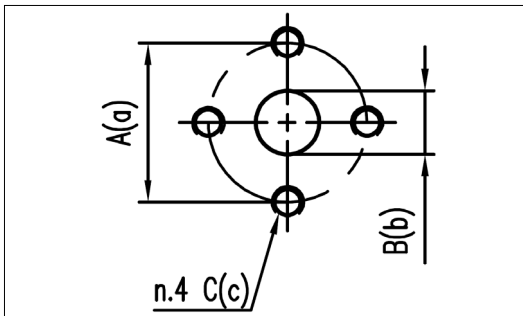


3030R

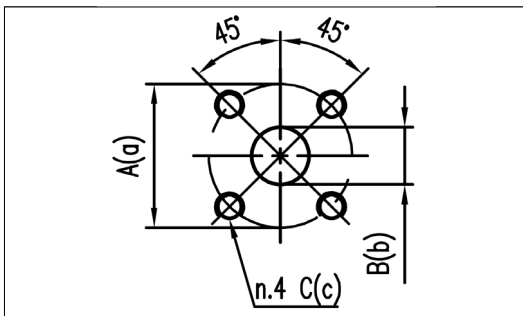
INLET			OUTLET		
A	B	C	a	b	c
30	12	M6	30	12	M6



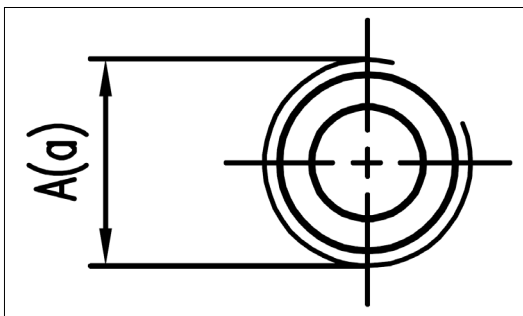
### PORTS



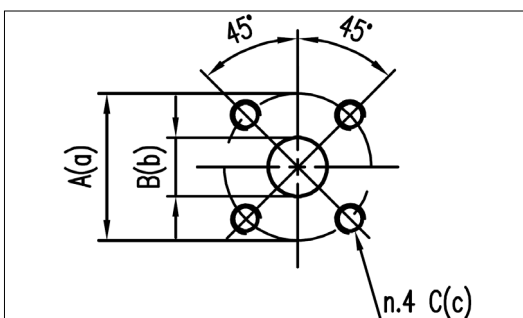
PORTS CODE	INLET			OUTLET		
	A	B	C	a	b	c
3030	30	13	M6	30	13	M6
4030	40	20	M8	30	13	M6
4040	40	21	M8	40	19	M8



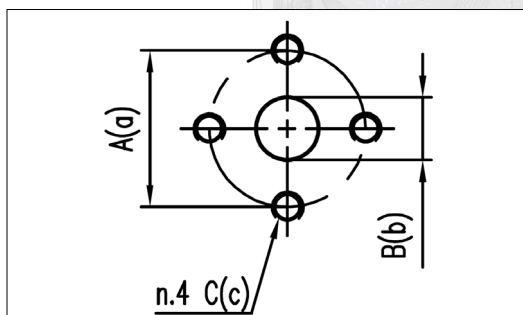
PORTS CODE	INLET	OUTLET
	A	a
1238	G1/2	G3/8
3412	G3/4	G1/2
1034	G1	G3/4



PORTS CODE	INLET	OUTLET
	A	a
10 34	G1	G3/4
114 10	G1 1/4	G1
112 114	G1 1/2	G1 1/4



PORTS CODE	INLET			OUTLET		
	A	B	C	a	b	c
4035	40	20	M6	35	15	M6



PORTS CODE	INLET			OUTLET		
	A	B	C	a	b	c
51 40	51	25	M10	40	18	M8
62 51	62	33	M10	51	27	M10
62 62	62	33	M10	62	33	M10

