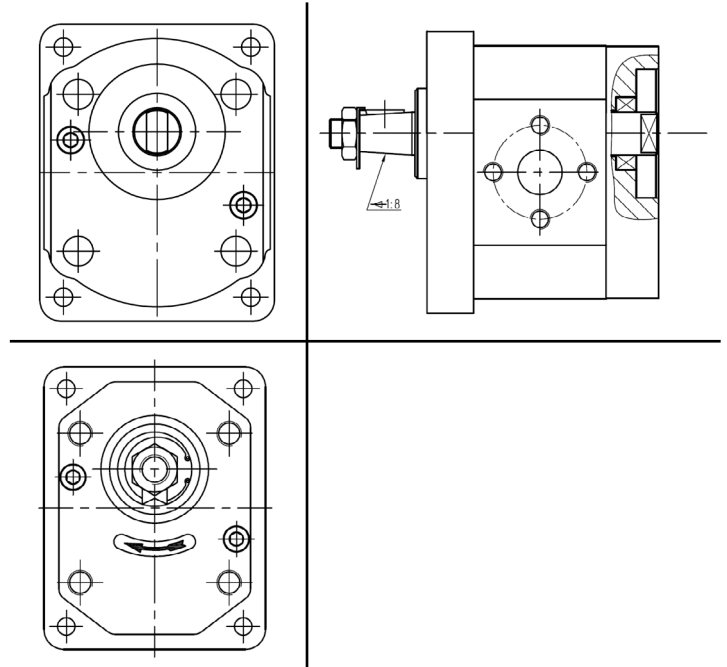


VNKBMD - DRIVER PUMP



HOW TO ORDER

Multiple pump	Group	Size	Shaft *	Flange *	Inlet port *	Outlet port *	Rotation	Standard Version
---------------	-------	------	---------	----------	--------------	---------------	----------	------------------

VNKBMD	3	→ 25		
	2	→ 4 30		
	1	1.1	6	33
		1.3	8	39
		1.6	10	46
		1.8	12	50
		2.1	14	55
		2.7	16	63
		3.2	18	70
		3.7	20	80
		4.2	23	90
		5	25	
	5.8	30		
	7			
8				

* see specifications of shafts, flanges and ports in pages 42, 43, 44, 45, 46.

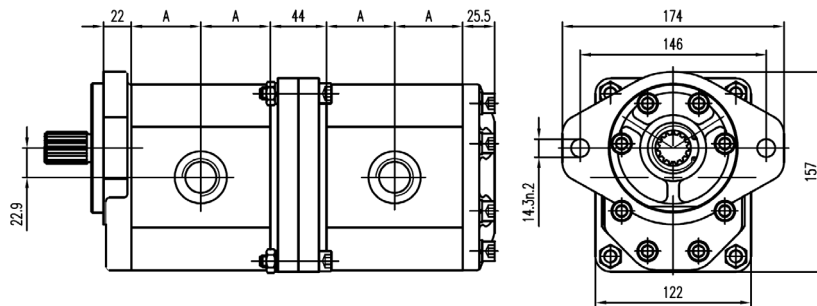
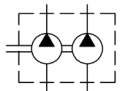
C	Clockwise	S
A	Counter clockwise	H
		J
		W
		R



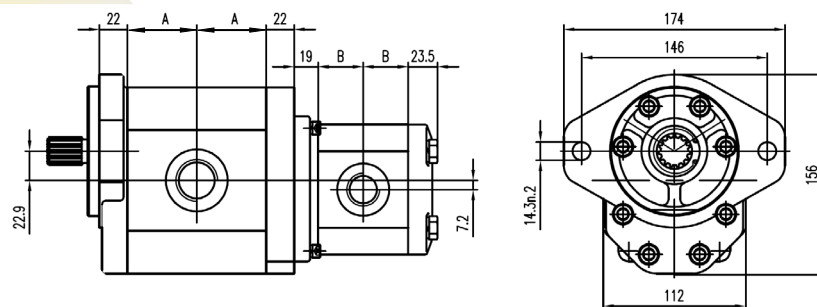
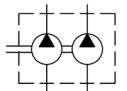
VNKBMD GROUP 3



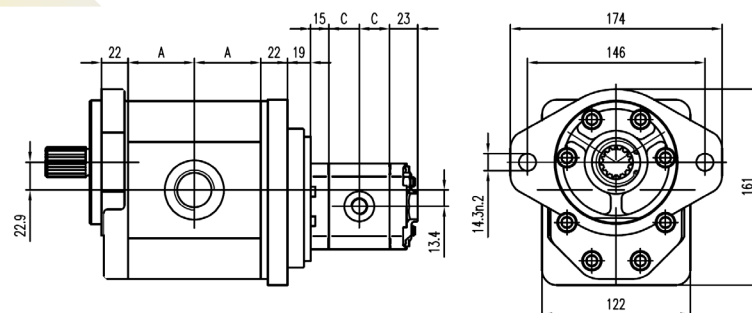
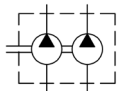
VNK3/3-S



VNK3/2-S



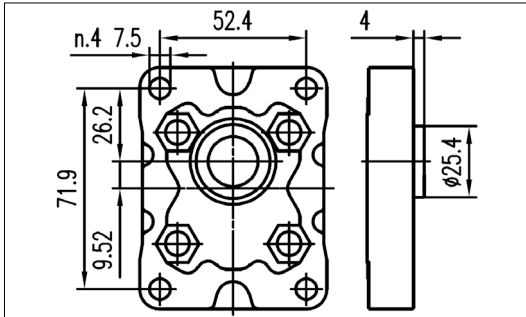
VNK3/1-S



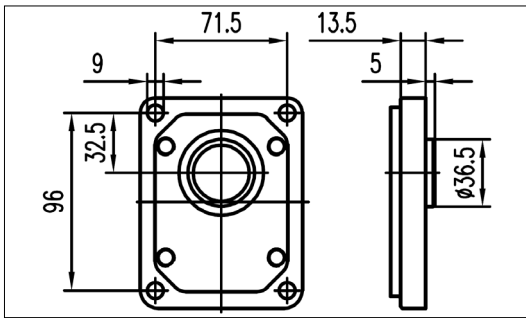
Type	Displacement cm ³ /rev	Max. Pressure			Max. Speed r/min	Min. Speed r/min	Dimensions
		P1	P2	P3			A mm
VNKBMD3-25-*.***	25	260	290	300	3000	500	43
VNKBMD3-30-*.***	30	250	280	300	3000	500	46
VNKBMD3-33-*.***	33	250	280	300	3000	500	46
VNKBMD3-39-*.***	39	250	280	300	2750	400	49,5
VNKBMD3-46-*.***	46	250	280	300	2750	400	52,5
VNKBMD3-50-*.***	50	220	240	260	3000	500	54,5
VNKBMD3-55-*.***	55	220	240	260	2750	400	56,5
VNKBMD3-63-*.***	63	200	230	250	2750	400	60,7
VNKBMD3-71-*.***	71	180	200	220	2500	400	64
VNKBMD3-80-*.***	80	180	200	220	2500	400	71
VNKBMD3-90-*.***	90	180	200	220	2500	400	80



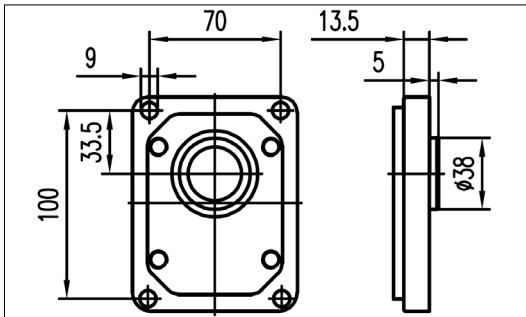
FRONT COVERS



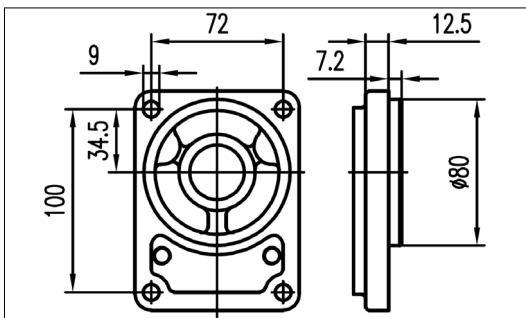
1



3

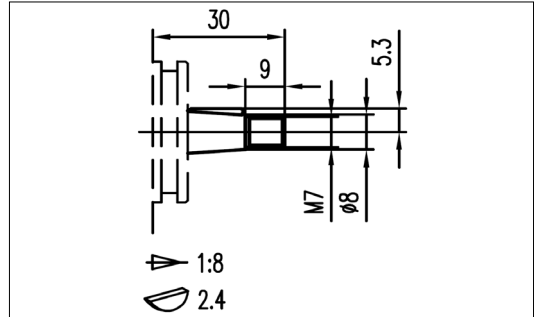


8



6

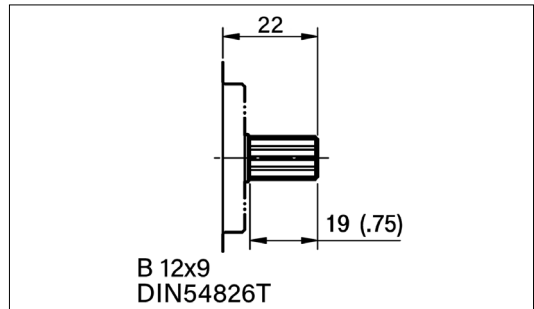
SHAFTS



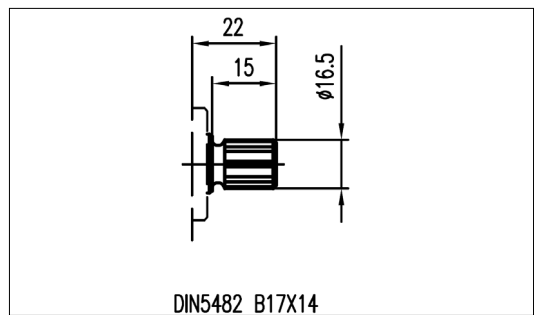
1

Max. Torque

20 Nm



7



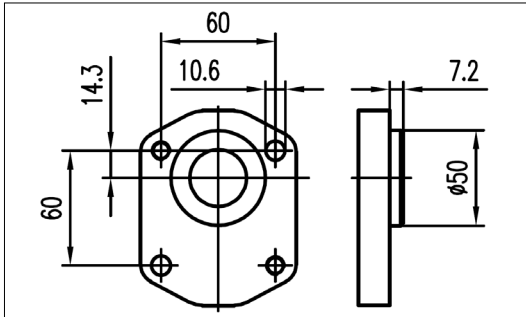
12

Max. Torque

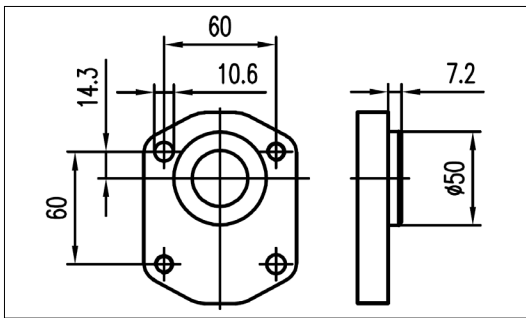
150 Nm



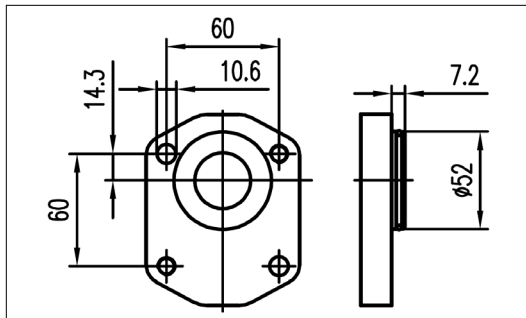
FRONT COVERS



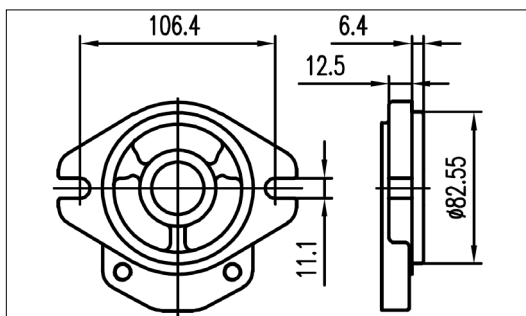
4



9

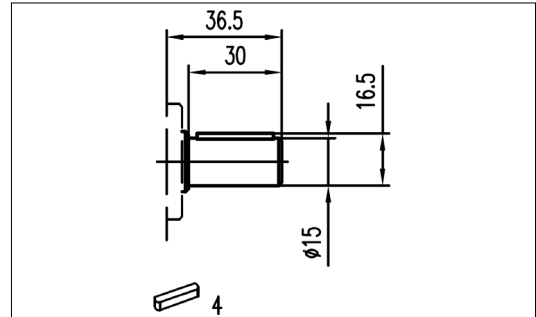


10



2

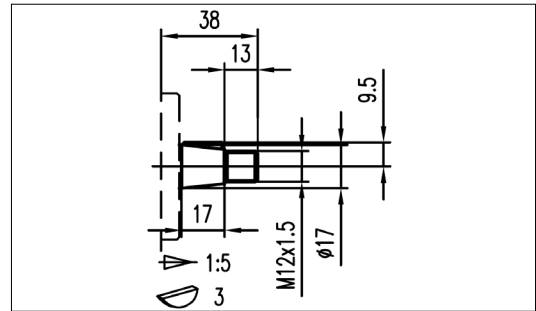
SHAFTS



9

Max. Torque

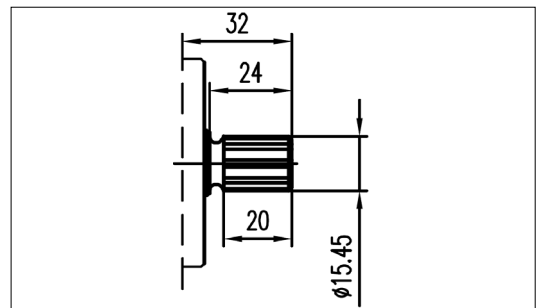
135 Nm



8

Max. Torque

180 Nm



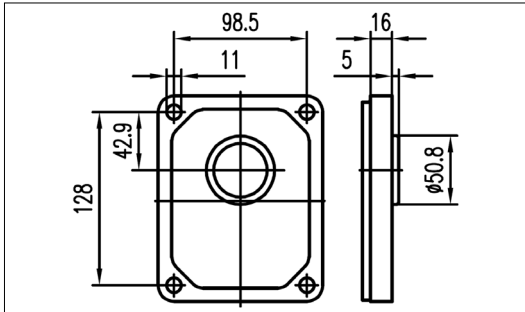
11

Max. Torque

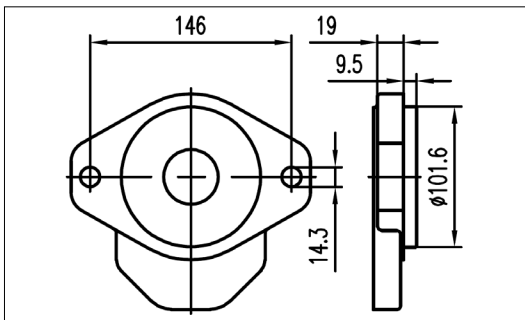
185 Nm



FRONT COVERS

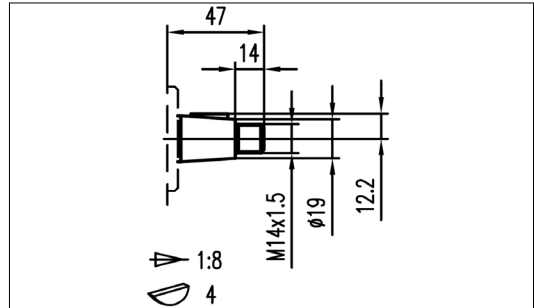


5



7

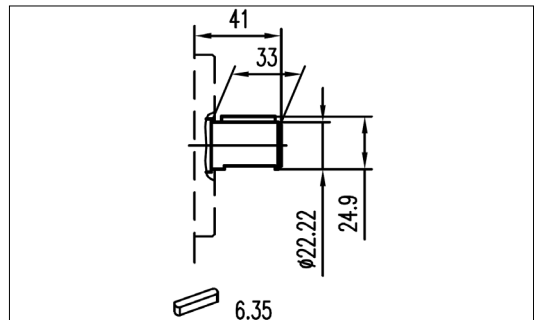
SHAFTS



2

Max. Torque

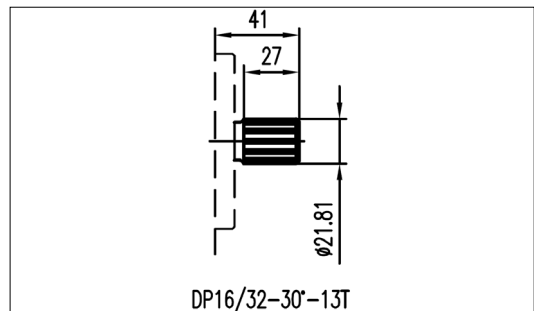
300 Nm



14

Max. Torque

400 Nm



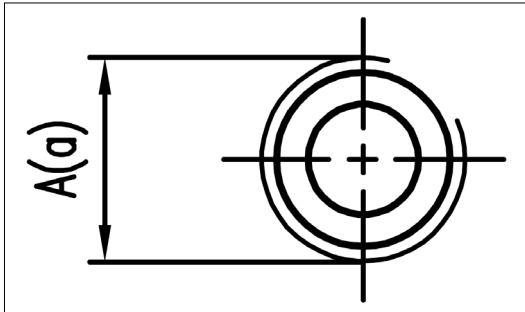
15

Max. Torque

500 Nm

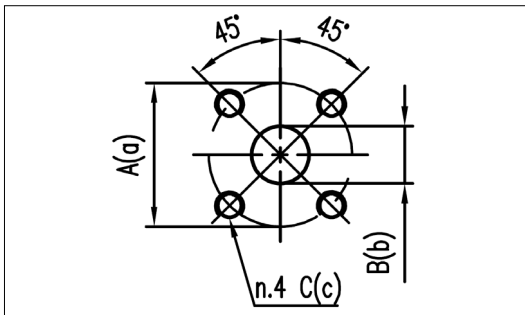


PORTS



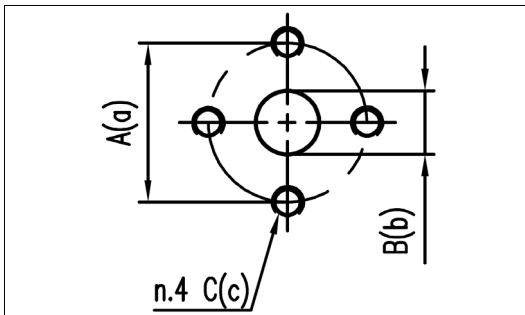
3838

INLET	OUTLET
A	a
G3/8	G3/8



3030

INLET			OUTLET		
A	B	C	a	b	c
30	12	M6	30	12	M6

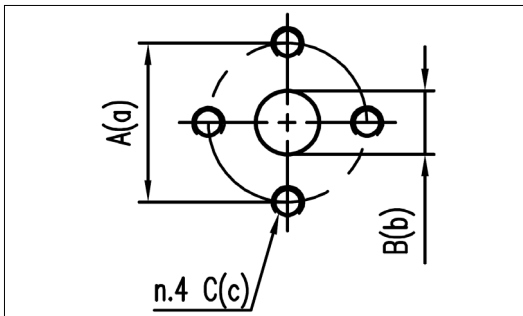


3030R

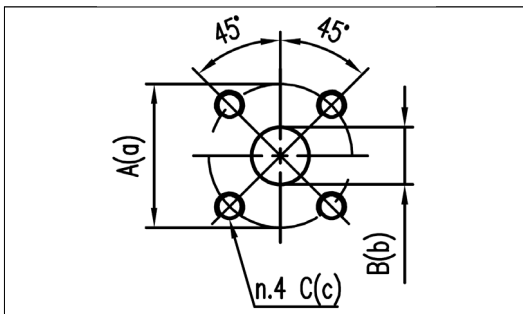
INLET			OUTLET		
A	B	C	a	b	c
30	12	M6	30	12	M6



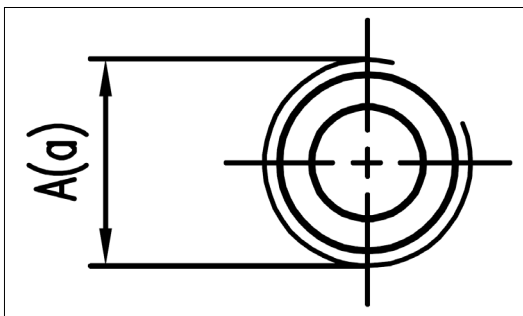
PORTS



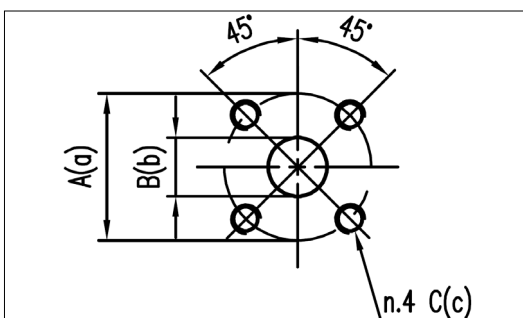
PORTS CODE	INLET			OUTLET		
	A	B	C	a	b	c
3030	30	13	M6	30	13	M6
4030	40	20	M8	30	13	M6
4040	40	21	M8	40	19	M8



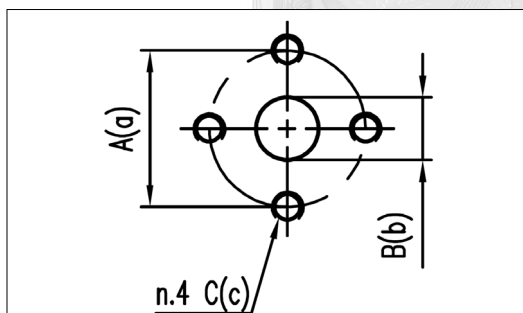
PORTS CODE	INLET	OUTLET
	A	a
1238	G1/2	G3/8
3412	G3/4	G1/2
1034	G1	G3/4



PORTS CODE	INLET	OUTLET
	A	a
10 34	G1	G3/4
114 10	G1 1/4	G1
112 114	G1 1/2	G1 1/4



PORTS CODE	INLET			OUTLET		
	A	B	C	a	b	c
4035	40	20	M6	35	15	M6



PORTS CODE	INLET			OUTLET		
	A	B	C	a	b	c
51 40	51	25	M10	40	18	M8
62 51	62	33	M10	51	27	M10
62 62	62	33	M10	62	33	M10

