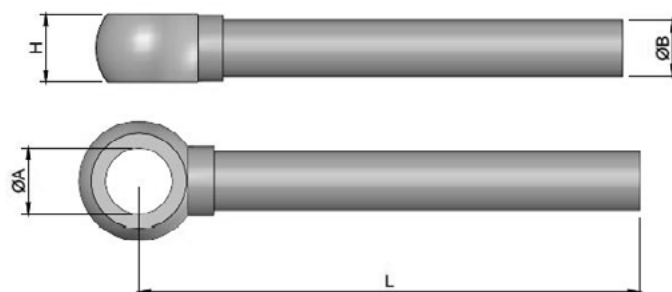


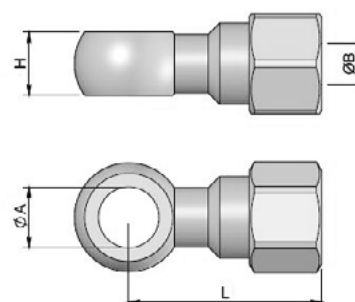
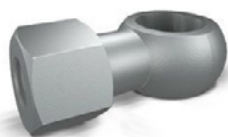
## CHECK VALVES ACCESORIES

### BANJO PIPE



| Standard code | Thread | Ø   | L   | H    | ØA | ØB   |
|---------------|--------|-----|-----|------|----|------|
| VNKL050108.7  | 1/4    | 12L | 40  | 13.3 | 12 | 14.5 |
| VNKL050109    | 1/4    | 12L | 100 | 13.3 | 12 | 14.5 |
| VNKL050110    | 1/4    | 12L | 300 | 13.3 | 12 | 14.5 |
| VNKL050111    | 1/4    | 12L | 500 | 13.3 | 12 | 14.5 |
| VNKL050111.9  | 3/8    | 12L | 40  | 17   | 12 | 17   |
| VNKL050112    | 3/8    | 12L | 100 | 17   | 12 | 17   |
| VNKL050112.5  | 3/8    | 12L | 200 | 17   | 12 | 17   |
| VNKL050113    | 3/8    | 12L | 300 | 17   | 12 | 17   |
| VNKL050114    | 3/8    | 12L | 500 | 17   | 12 | 17   |
| VNKL050115    | 1/2    | 12L | 100 | 21.2 | 15 | 22   |
| VNKL050116    | 1/2    | 12L | 300 | 21.5 | 15 | 22   |

### BANJO AND NUT DIN 2353



| Standard code | Thread | Ø   | L    | H  | ØA   | ØB |
|---------------|--------|-----|------|----|------|----|
| VNKL050117    | 1/4    | 12L | 43.5 | 14 | 13.3 | 12 |
| VNKL050118    | 3/8    | 12L | 38.5 | 17 | 17   | 12 |
| VNKL050119    | 1/2    | 15L | 44.5 | 22 | 21.2 | 15 |