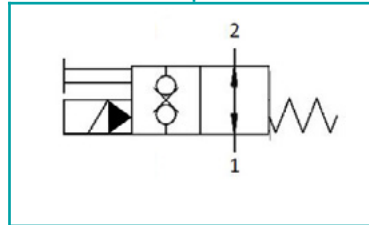
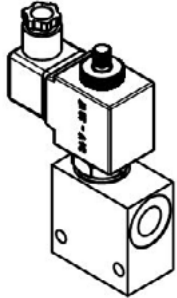
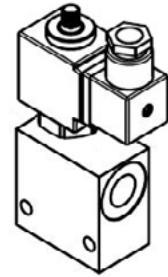


## 2/2 NORMALLY OPEN DOUBLE LOCK VALVE

40L



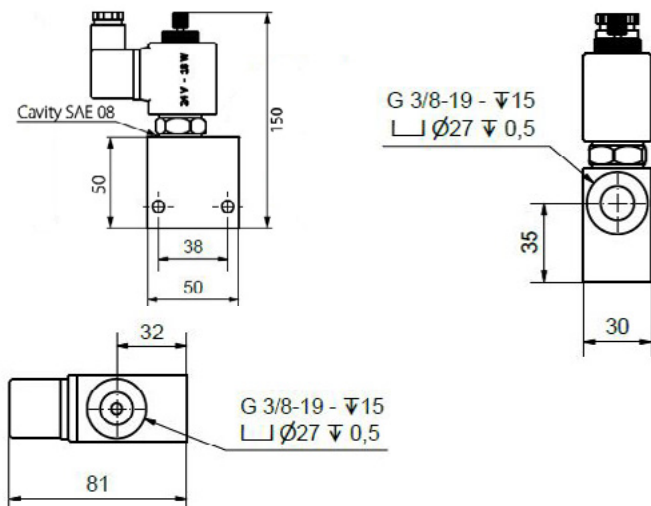
70L



### SPECIFICATIONS

Thread:	3/8
Fluid viscosity:	ISO 3448
Filtration:	ISO 4406
Fluid temperature:	-20°C + 90°C
Ambient temperature:	-20°C + 50°C
Max. operating pressure:	280 Bar
Standard seals:	NBR
Material:	Aluminium
Type override:	screw

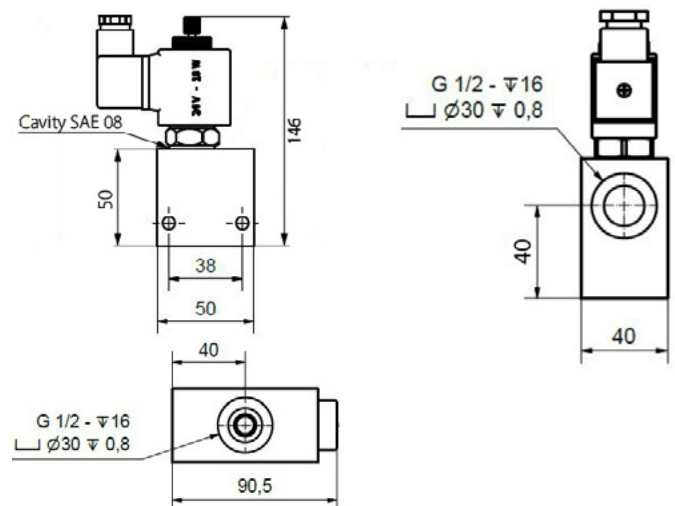
### DIMENSIONS (mm)



### SPECIFICATIONS

Thread:	1/2
Fluid viscosity:	ISO 3448
Filtration:	ISO 4406
Fluid temperature:	-20°C + 90°C
Ambient temperature:	-20°C + 50°C
Max. operating pressure:	280 Bar
Standard seals:	NBR
Material:	Aluminium
Type override:	push button

### DIMENSIONS (mm)

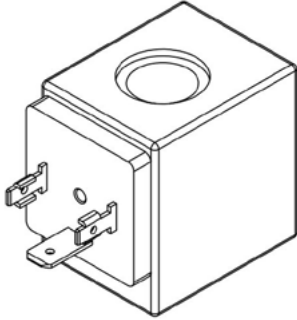


Standar code	Volt
SV-2/2-NO-DC-40-38-12V	12 dc
SV-2/2-NO-DC-40-38-24V	24 dc
SV-2/2-NO-DC-40-38-220V	220 rac

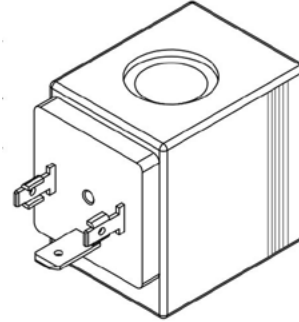
Standar code	Volt
SV-2/2-NO-DC-70-12-12V	12 dc
SV-2/2-NO-DC-70-12-24V	24 dc
SV-2/2-NO-DC-70-12-220V	220 rac

## COIL

### 18W



### 22W



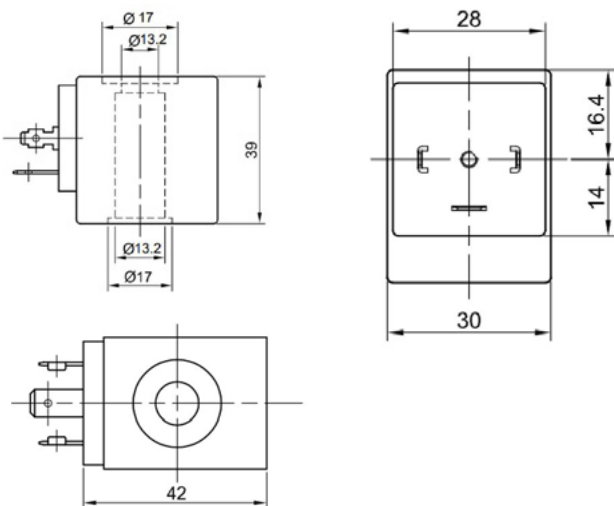
#### SPECIFICATIONS

Power	18W
Coil insulation class	F
ED	100%
Supply power tolerance	±10%DC; +10% -5%AC
Ambient temperature	-30°C +50°C
IP Coil	54

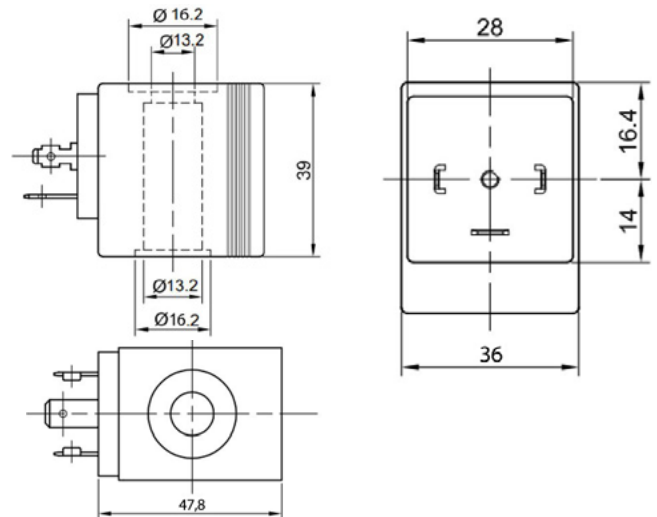
#### SPECIFICATIONS

Power	22W
Coil insulation class	H
ED	100%
Supply power tolerance	±10%DC; +10% -5%AC
Ambient temperature	-30°C +50°C
IP Coil	54

#### DIMENSIONS (mm)



#### DIMENSIONS (mm)



Standard code	Ø	Volt	W
VNKPP050801	13	12 dc	18
VNKPP050802	13	24 dc	18
VNKPP050803	13	110 rac	18
VNKPP050804	13	220 rac	18

Standard code	Ø	Volt	W
VNKPP050901	13	12 dc	22
VNKPP050902	13	24 dc	22
VNKPP050903	13	26 dc	22
VNKPP050904	13	110 rac	22
VNKPP050905	13	220 rac	22

## OVERRIDE TYPES

### SCREW

---

**Description:**

To operate this override, manually unscrew/screw-in the knob to full stroke position. Once in this mode, the override is self-detended. To return to the de-energized mode, screw-in/unscrew the override knob until positive stop occurs. External dimensions change depending on the valve type.



### PUSH AND TWIST

---

**Description:**

To operate this override, manually push and twist the knurled knob counterclockwise/clockwise. Once in this mode, the override is selfdetended. To return to the de-energized mode, push and twist the override knob clockwise/counterclockwise. External dimensions change depending on the valve type.



### PUSH KNOB

---

**Description:**

In order to operate this override, press the pin with a finger and maintain constant pressure. Once released,the valve will get back to the de-energized mode. External valve dimensions increase.

