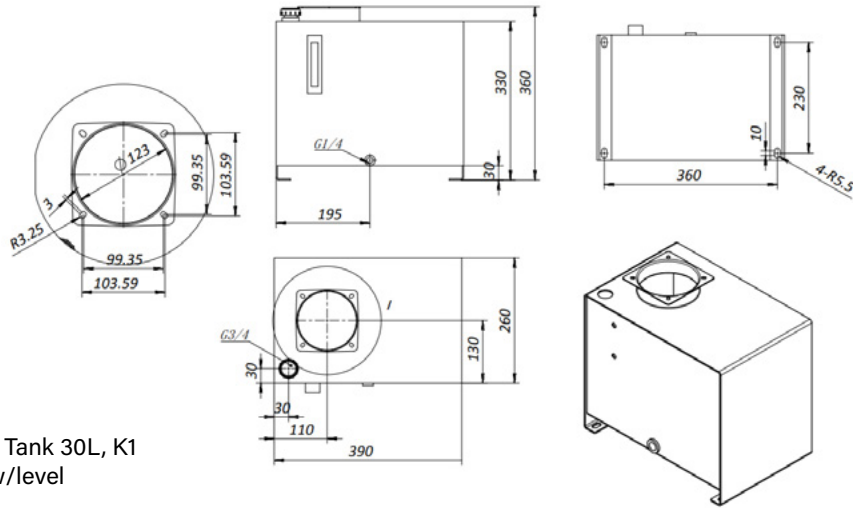


**METALIC TANK VERTICAL / HORIZONTAL  
WITH LEVEL, SQUARE/ RECTANGULAR BODY,  
GROUP K1 VINCKE**

VNKPP030505



Vertical Tank 30L, K1  
group w/level

| Reference   | Mounting | Ø D (mm) | L (mm) | B (mm) | H (mm) | E (mm) | Vol. (L) |
|-------------|----------|----------|--------|--------|--------|--------|----------|
| VNKPP030505 | Vertical | 123      | 390    | 255    | 320    | 30     | 30       |

