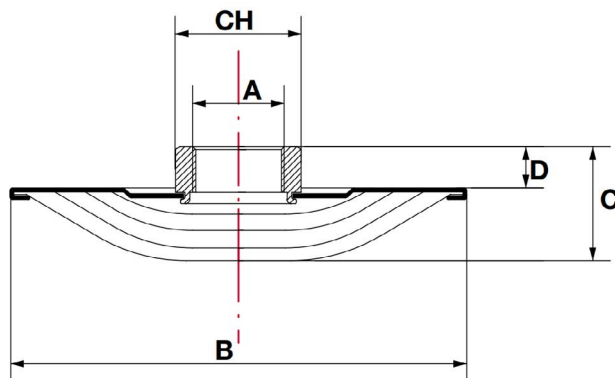


# FILTERS

## Groups K0, K1

### Suction Filters Groups K0, K1

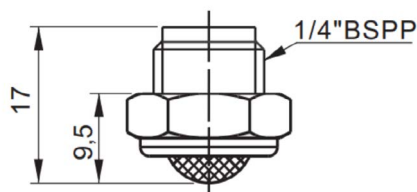


Reference	A (mm)	B (mm)	C (mm)	D (mm)	CH (mm)	Filtering Surface (cm <sup>2</sup> )	Flow (l/min)
VNKPP060101	3/8	63	20	8	22	120	13
VNKPP060102	3/8	80	21	7	22	100	14

### VNKPP060103

#### Relief valve return filter

To be mounted in cavity Tr



It reduces foam and noise when relief valve is laminating.  
Recommended for all vertical mounting tanks.

