

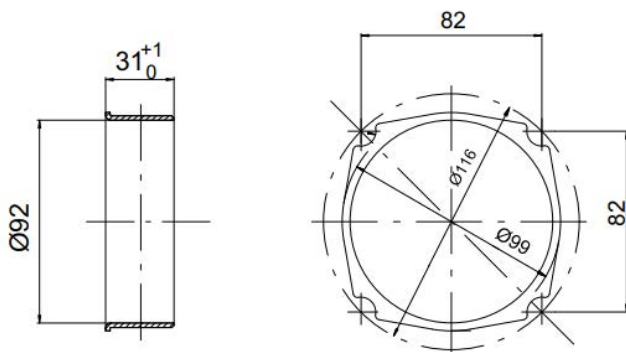
NECK FOR TANKS

GROUPS K0/K1



Reference	Dimensions (mm)	Type
VNKPP100101	92x31	K0
VNKPP100102	123x25	K1

VNKPP100101



VNKPP100102

