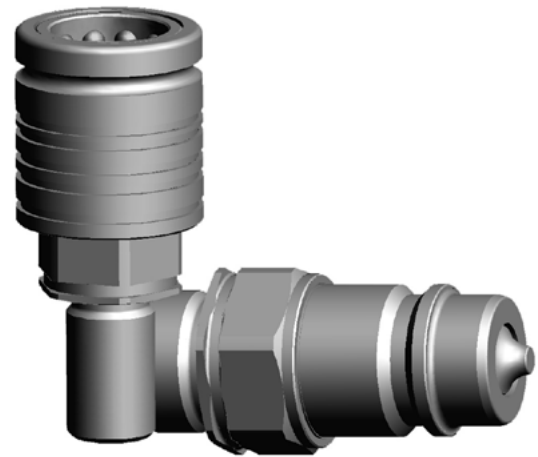


## TECHNICAL DATA

Standard:	ISO 7241 A
Sleeve	double acting
Occlusion:	poppet
Locking:	radial balls
Material:	steel
Finishing:	Zinc plated
Threads:	BSPB
Standard seals:	NBR
Working temperature:	-25° C + 100° C
Optional seals:	FKM
Workings pressure:	250 bar
Connection under residual pressure:	not allowed



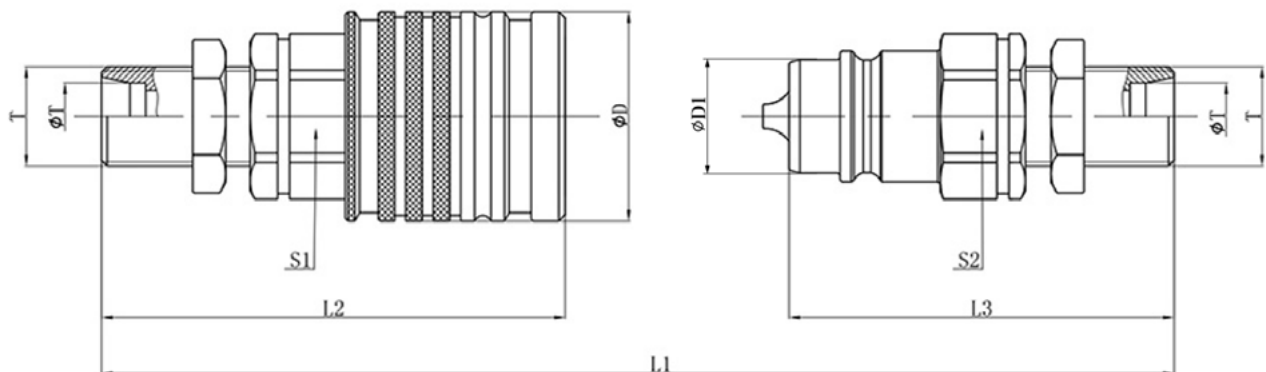
### Applications:

Versatile VSM series couplings are used in a wide range of hydraulic applications including construction equipment, manufacturing machinery, and in-plant systems.

They can be found anywhere the fluid transfer lines need to be connected and disconnected for operation or maintenance of equipment.

### Interchange Standard

Parker 2000 series  
Faster PV  
Aeroquip FD 72  
Eaton H5000  
Holmbury P  
Dnp PPV  
Stucchi IRSV



Type	ISO Ø	L1	L2	L3	ØD	ØD1	S1	S2	Ø	T
VSM-SC14150	12,5	132,5	84,3	70	38	20,5	27	27	8L	M14x150
VSM-SC16150	12,5	132,5	84,3	70	38	20,5	27	27	10L	M16x150
VSM-SC18150	12,5	132,5	84,3	70	38	20,5	27	27	12L	M18x150
VSM-SC22150	12,5	132,5	84,3	70	38	20,5	27	27	15L	M22x150
VSM-SC26150	12,5	132,5	84,3	53,5	38	20,5	27	27	18L	M26x150

Type	ISO Ø	L1	L2	L3	ØD	S1	S2	Ø	T
VSM-SC18150	12,5	132,5	84,3	70	38	27	27	10S	M18x150
VSM-SC20150	12,5	132,5	84,3	70	38	27	27	12S	M20x150
VSM-SC22150	12,5	132,5	84,3	70	38	27	27	14S	M22x150
VSM-SC24150	12,5	132,5	84,3	70	38	27	27	16S	M24x150
VSM-SC30200	12,5	132,5	84,3	70	38	30	30	20S	M30x200

## ACCESSORIES



ISO Ø	Female Dust Plug	Male Dust Cap	Colour	Material
12,5	VSA-08F	VSA-08M	Red, Blue, Yellow, Black, Orange	Plastic



ISO Ø	Automatic Dust Cap	Colour	Material
12,5	NCA-08F	Red, Yellow, Black	Nylon